

TN 52

Tioxid 5 inverted dome tweeter



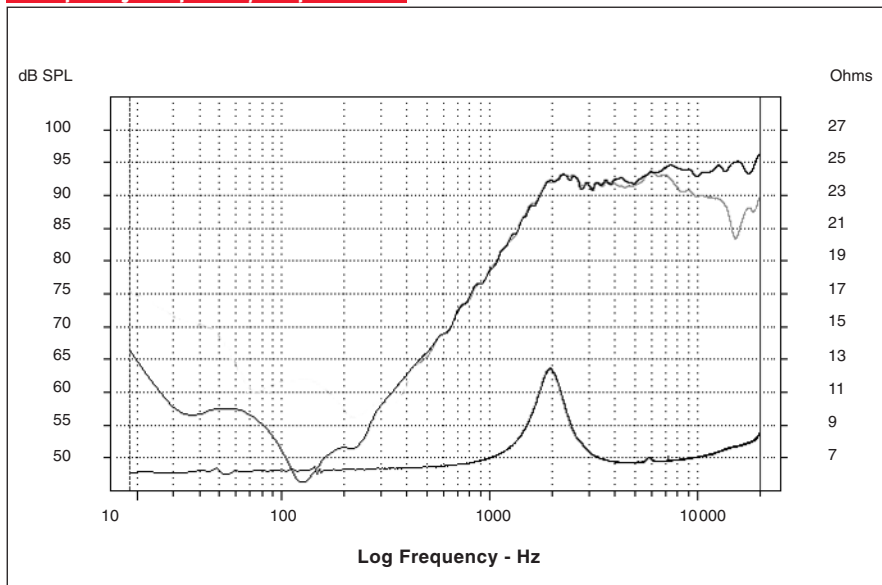
- Dual flange for optimized staging
- Tioxid 5 inverted dome
- Independent surround
- High force Neodymium ring magnet



Specifications

Nominal power	15 W (without filtering)	
Maximum power	150 W	
Sensitivity	96.5 dB	
Cone	Tioxid 5	
Surround	PE (foam)	
Nom. impedance	8 ohms	
DC resistance	5.8 ohms	
VC diameter	20 mm	0.78 in
VC height	-	-
Former	Aluminium	
Layers	2	
Wire	-	
Inductance	0.06 mH	
Xmax	-	
Magnet d x h	40 x 4 mm	1.57 x 0.15 in
Magnet weight	24 g	0.053 lb
Flux density	1.8 T	
Gap height	2 mm	0.078 in
Net weight	0.115 kg	0.25 lb

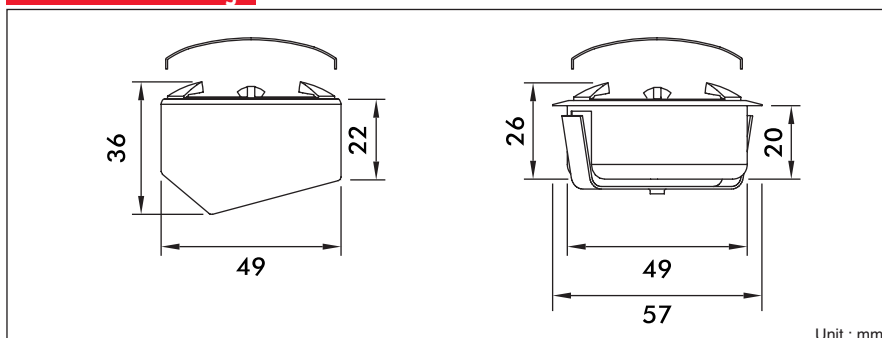
Frequency Response / Impedance



Parameters

Fs	1955 Hz	
Vas	-	
Qts	-	
Qes	-	
Qms	-	
Re	5.8 ohms	
Sd	0.2 cm ²	0.031 in ²
Cas	-	
Mas	-	
Ras	-	
Cms	-	
Mms	0.24 g	0,00053 lb
Rms	-	
Ces	-	
Les	-	
Res	12.2 ohms	
Bl	-	
SPL	93.5 dB	

Mechanical Drawing



Suggested application

Load	V (l)	Fb (Hz)	F-3 (Hz)	Ql
Sealed	-	-	-	-
Sealed	-	-	-	-
Sealed	-	-	-	-